

**TECHNICAL SPECIFICATIONS**  
**CENTRE HEIGHTS**

# **TECHNICAL SPECIFICATIONS FOR CENTRE HEIGHTS – 18-11-14**

## **KITCHENS**

- CABINETS HIGH QUALITY ITALIAN BRAND LAMINATE
- WORKTOPS AND UPSTANDS – CORIAN WHITE OR GRANITE OR SILES STONE BLANCO ZEUS
- ELECTROLUX STAINLESS STEEL SINGLE OVEN + ELECTOLUX MICRO WAVE
- ELECTROLUX FULL INT. CHIMNEY
- ELECTROLUX FRIDGE/FREEZER
- ELECTROLUX WASHER/DRYER
- 1 BOWL SINK CORIAN OR S.STEEL 50CM
- BIANCO CULINA S MINI KITCHEN TAP BM 519844 S.STEEL

## **BATHROOMS AND EN SUITES**

- IDEAL STANDARD 'CONCEPT' WC BACK TO WALL E7916
- CORIAN WHITE OR PORCELAN BASIN
- SHOWER TRAY CORIAN OR ACRYLIC SHOWER TRAY
- BASIN MIXER HANSGROHE LOGIS CHROME – 71220000
- SHOWER MIXER HANSGROHE – ECOSTAT S1575800 + RAIN SHOWER RAINDANCE SELECT – 26469000 + RAINDANCE SELECT 150 3JET HAND SHOWER
- HEATED TOWEL RAIL
- BATH SCREEN – FRAMELESS CLEAR TEMPERED GLASS

## **FINISHES**

- WALLS IN EMULSION OFF WHITE
- GYPSUM BOARD CEILINGS OFF WHITE
- SKIRTINGS AS ENG FLOORING

## **HEATING & LIGHTING**

- UNDERFLOOR HEATING
- PROGRAMMABLE THERMOSTAT TO INDIVIDUAL APARTMENTS
- PELMET LIGHTING FOR KITCHEN CABINETS
- DOWN LIGHTS SPOT LED
- ENERGY EFFICIENT LIGHTING

## **WINDOWS & DOORS**

- MAT WHITE INTERNAL DOORS
- DOUBLE GLAZED WINDOWS WITH CHROME IRONMONGERY
- BALCONY/PATIO DOORS TO MATCH WINDOWS
- FLEXIBLE BESPOKE FURNITURE AND FITTINGS (SLIDING FOLDING DOORS TO OPEN-UP BEDROOMS)
- ALUMINIUM: COLOURED DOUBLE GLAZED

## **SECURITY**

- SPY HOLE VIEWER TO FRONT DOOR
- VIDEO ENTRY PHONE
- ON – SITE PROPERTY MANAGEMENT AND SECURITY

## **WARDROBE**

- HIGH QUALITY ITALIAN BRAND

## **HOME ENTERTAINMENT / COMMUNICATIONS**

- TERRESTRIAL TV/FM SOCKET TO LIVING ROOM AND BEDROOM(S)
- SKY + TV MASTER SOCKET IN LIVING ROOM

## **FLOORING**

- LIVING ROOM, KITCHEN, BEDROOMS ENG WOOD PARADOR –BASIC 11-5 OAK TABACCO BLOCK 3 PLANK RUSTICAL LAQUERD FINISH WITH ACUSTIC PROTECT 200 UNDERLAY
- WC RECTIFATE CERAMIC TILES ABK ROCKWAY STONE FLOOR 60X60 – WILLS 15X60

## **INTERNAL COMMUNAL AREAS**

- MARBLE AND WOOD PANEL WALLS AND FLOORING TO COMMUNAL ENTRANCE FOYER, MARBLE EMPERADOR DARK AND STAIR CASE KOHARA MARBLE OR SIMULAR
- BALUSTER WITH OAK CAP AND CLEAR GLASS LAMINATE 15MM
- EIGHT PERSON PASSENGER LIFT TO SELECTED STAIR CORES
- FIRE ALARM SYSTEM PROTECTION OF COMMON AREAS
- BICYCLE STORAGE WILL BE PROVIDED OUTSIDE

## **WARRANTY**

- TEN YEAR PREMIER BUILDING WARRANTY

## WASHING MACHINE / DRYER



## FRIDGE



## ELECTROLUX FULL INT CHIMNEY



## HOBS

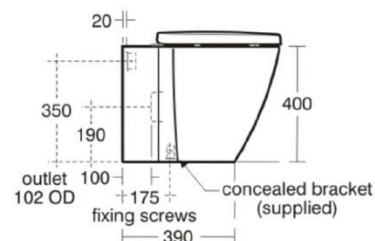
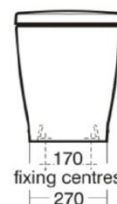


**ELECTROLUX MICRO WAVE**



**ELECTROLUX S.STEEL SINGLE OVEN**





### Back to Wall WC

Concept back to wall WC pan with horizontal outlet

### Standards

Vitreous china to BS 3402. WC pan to BS EN 997 & BS EN 33

### Finishes\*



**01**

### Required

<b>TOILET SEAT AND COVER</b>	<b>E7918</b>
<b>TOILET SEAT AND COVER, SLOW CLOSE</b>	<b>E7917</b>
<b>UNIVERSAL HEIGHT, TOP INLET CISTERN - PNEUMATIC DUAL FLUSH VALVE - NO FLUSHPLATE...</b>	<b>S3624</b>

\*Finishes: 01 = White

## Logis

**Single lever basin mixer for concealed installation with spout 195 mm wall-mounted**

Surfaces: **chrome** Art. no. : **71220000**



### Description

#### product features

- handle can be positioned on the right or left, depends on the basic set installation
- spout 195 mm long
- normal spray
- flow rate: 5 l/min
- flush grated waste - water flow cannot be stopped
- QuickClean system for easy limescale removal

#### Mandatory Accessories

- Basic set for single lever basin mixer for concealed installation (#13622XXX)

### Article Details

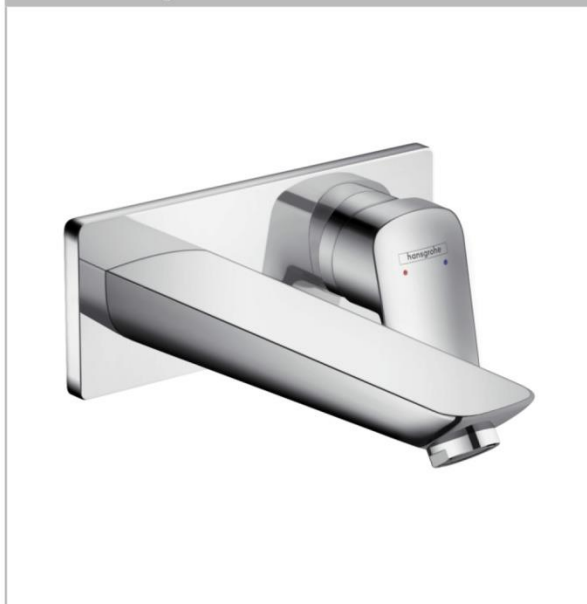
Price incl. VAT\*

£ 186.00

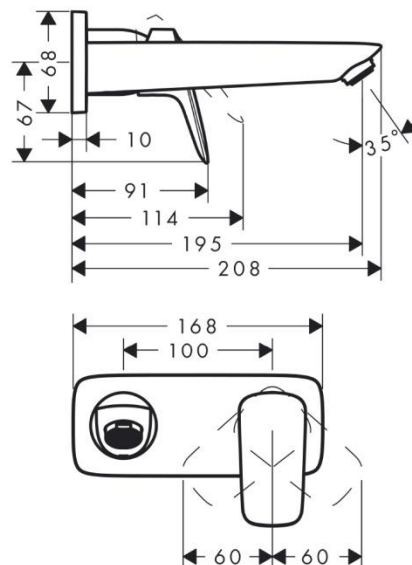
### Technology



### Product image



### Scale drawing





## Raindance

### Raindance Select 150 3jet hand shower

Surfaces: **white/chrome** Art. no. : **28587400**



#### Description

##### product features

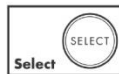
- shower head size: 150 mm
- Select button to comfortably switch between spray modes
- spray type: RainAir (rain jet enriched with air), CaresseAir, Mix
- maximum flow rate (at 3 bar): 16 l/min
- operating pressure: min. 1.5 bar / max. 6 bar
- easy to clean, white spray face

#### Article Details

Price incl. VAT\*

£ 103.20

#### Technology



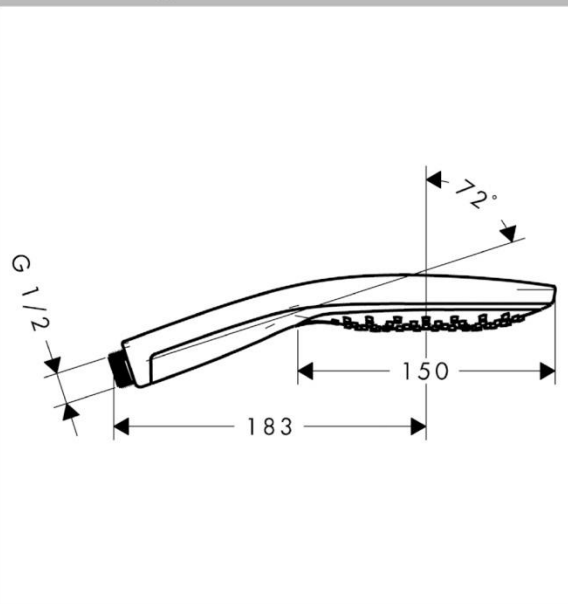
#### Design awards



#### Product image



#### Scale drawing



## Ecostat S

Ecostat S thermostatic mixer for concealed installation with integrated shut off/diverter valve

Surfaces: chrome Art. no. : 15758000



### Description

#### product features

- designed to run 2 outlets
- safety stop at 40°C
- flow rate: 26 l/min
- wall-mounted

#### Mandatory Accessories

- iBox universal basic set 1/2 and 3/4 (#01800XXX)

#### Optional Accessories

- Extension Set 150mm (#13597XXX)
- Extension 25mm for iBox universal (#13595XXX)

### Article Details

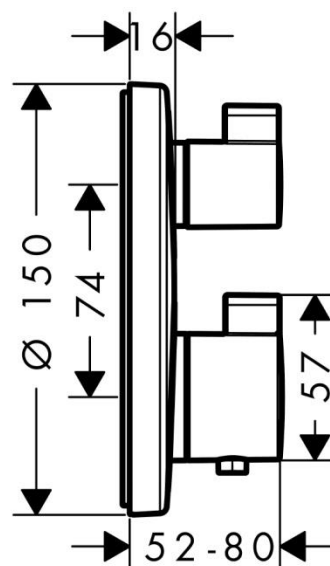
Price incl. VAT\*

£ 399.00

### Product image



### Scale drawing



## Raindance Select

### Raindance Select S 240 2jet EcoSmart overhead shower with ceiling connector

Surfaces: **chrome** Art. no. : **26469000**



#### Description

##### product features

- shower head size: 240 mm
- spray type: RainAir (rain jet enriched with air), Rain
- flow rate Rain (at 3 bar): 9 l/min
- flow rate RainAir (at 3 bar): 9 l/min
- spray type selection: Select button on overhead shower
- spray face surface in two variants: chrome or white
- material spray face: metal
- spray disc removeable for cleaning
- Ceiling connection length: 100 mm
- installation type: ceiling

#### Article Details

Price incl. VAT\*

£ 354.00

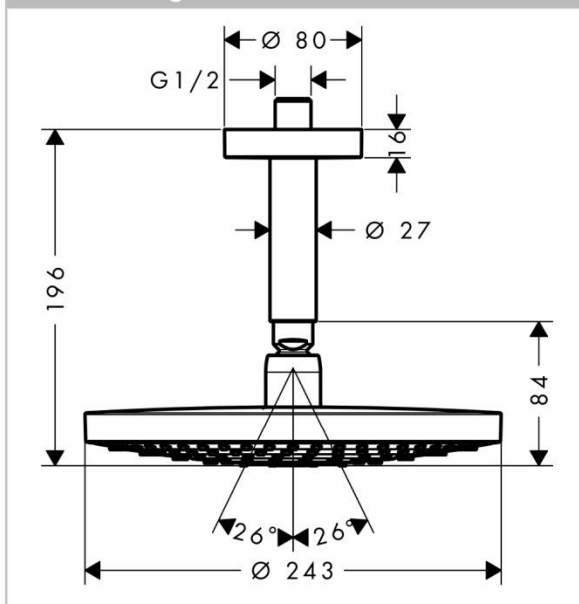
#### Technology



#### Product image



#### Scale drawing





# ROCKWAY 01

## CARATTERISTICHE TECNICHE / TECHNICAL CHARACTERISTIC

CLASSIFICAZIONE SECONDO NORME UNI EN 14411 (ISO 13006) ALLEGATO G-Gruppo Bla GL  
CLASSIFICATION IN ACCORDANCE WITH UNI EN 14411 (ISO 13006) ANNEX G-Group Bla GL

GRES PORCELLANATO A MASSA COLORATA COLORED BODY PORCELAIN TILES	NORMA NORM	VALORE PRESCRITTO DALLE NORME VALUE PRESCRIBED FROM THE NORMS	VALORE ABK ABK VALUE satine	VALORE ABK ABK VALUE stone
LUNGHEZZA E LARGHEZZA DIMENSIONE MEDIA DI OGNI PIASTRELLA LENGTH AND WIDTH OF THE AVERAGE-SIZES TILE	UNI EN ISO 10545/2	± 0,5%	CONFORME ACCORDING	CONFORME ACCORDING
SPESSORE THICKNESS	UNI EN ISO 10545/2	± 5%	CONFORME ACCORDING	CONFORME ACCORDING
RETTILINEARITÀ SPIGOLI WARPAGES OF EDGES	UNI EN ISO 10545/2	± 0,5%	CONFORME ACCORDING	CONFORME ACCORDING
ORTOGONALITÀ WEDGING	UNI EN ISO 10545/2	± 0,6%	CONFORME ACCORDING	CONFORME ACCORDING
PLANARITÀ FLATNESS	UNI EN ISO 10545/2	± 0,5%	CONFORME ACCORDING	CONFORME ACCORDING
ASSORBIMENTO D'ACQUA WATER ABSORPTION	UNI EN ISO 10545/3	≤ 0,5%	CONFORME ACCORDING	CONFORME ACCORDING
RESISTENZA ALLA FLESSIONE BENDING STRENGTH	UNI EN ISO 10545/4	≥ 35 N/mm <sup>2</sup>	CONFORME ACCORDING	CONFORME ACCORDING
FORZA DI ROTTURA BREAKING STRENGTH	UNI EN ISO 10545/4	≥ 1300 N	CONFORME ACCORDING	CONFORME ACCORDING
RESISTENZA AGLI SBALZI TERMICI THERMAL SHOCK RESISTANCE	UNI EN ISO 10545/9	RICHIESTA REQUIRED	RESISTE RESISTS	RESISTE RESISTS
RESISTENZA AL GELO FROST RESISTANCE	UNI EN ISO 10545/12	RICHIESTA REQUIRED	INGELIVO FROST PROOF	INGELIVO FROST PROOF
RESISTENZA ALL'ATTACCO CHIMICO CHEMICAL RESISTANCE	UNI EN ISO 10545/13	-	RESISTE RESISTS	RESISTE RESISTS
RESISTENZA ALLE MACCHIE RESISTANCE TO STAINING	UNI EN ISO 10545/14	GL ≥ MINIMO CLASSE 3	RESISTE RESISTS	RESISTE RESISTS
COEFFICIENTE D'ATTRITO DINAMICO DYNAMIC FRICTION COEFFICIENT	B.C.R.A. C.A.	μ 0,19 SCIVOLOSITÀ PERICOLOSA - DANGEROUSLY SLIPPERY 0,20 < μ < 0,39 SCIVOLOSITÀ ECCESSIVA - EXCESSIVELY SLIPPERY 0,40 < μ < 0,74 ATTRITO SODDISFACENTE - SATISFACTORY GRIP μ 0,75 ATTRITO ECCELLENTE - EXCELLENT GRIP	> 0,40	> 0,40
	B.C.R.A. G.B.		> 0,40	> 0,40
COEFFICIENTE D'ATTRITO STATICO COEFFICIENT OF STATIC FRICTION	ASTM C 1028 (S.C.O.F.)	SLIP RESISTANT (> 0,60)	> 0,60 DRY	> 0,60 DRY
			> 0,60 WET	> 0,60 WET
CLASSIFICAZIONE ANTISDRUCCIOLO NON-SLIP CLASSIFICATION	DIN 51130	IN FUNZIONE DELL'AMBIENTE O DELLA ZONA DI LAVORO BASING ON THE ENVIRONMENT OR THE WORKING AREA	R10	R11
RESISTENZA ALLO SCIVOLAMENTO SLIP RESISTANCE	DIN 51097	-	A	A+B

VARIAZIONE CROMATICA SHADE VARIATION	V2	 aspetto uniforme uniform appearance V1	 lieve variazione slight variation V2	 moderata variazione moderate variation V3	 forte variazione substantial variation V4
---	----	--	--	---	---

